

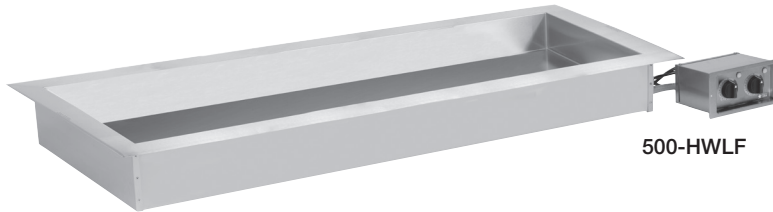
500-HW SERIES HOT FOOD DROP-IN WELL



500-HWI



500-HW



500-HWLF



- The gentle heating capability of HALO HEAT significantly extends hot food holding life without continuing the cooking process.

- Provides a more appealing product with better appearance and fresher taste.
- Front-of-the-house use with an existing counter, overhead lighting, and sneeze guard system or drop into a prep table for hot food plating convenience.
- Easy drop-in installation without the need of water or drainage connections and the related installation and water usage costs.
- Maintenance savings with the elimination of lime and scale buildup associated with steam table holding.
- Increase employee safety with the elimination of burning steam when changing pans.
- Adjustable thermostat with remote control suitable for mounting provides holding temperature flexibility without high steam table temperatures to scorch or burn.
- Stainless steel interior walls are easy to clean with coved corners on two sides of the well.
- HWI series with individual wells and independent controls expands your menu options.



The 500-HW is a heated hot food well with an exterior of 18 gauge stainless steel. The hot well includes stainless steel interior walls with coved corners on two sides. HWI and HWILF models are controlled by five (5) adjustable thermostats with a range of 1 through 10 and an indicator light. HW and HWLF models are controlled by two (2) adjustable thermostats with a range of 1 through 10 and an indicator light. The thermostat control is attached to the hot well base by two (2) 72" (1829mm) flexible and water tight tethers.

The heated well base is available in two depths. The 4-3/8" (111mm) deep unit holds 4" (100mm) deep pans and the 6-3/8" (162mm) deep unit holds 6" (150mm) deep pans. Both units will hold a combination of standard (gastronorm) pan sizes. The HW and HWLF hot well units includes ten (10) half/third-size pan divider bars and four (4) full-size pan divider bars. The HWI and HWILF hot well units includes ten (10) half/third-size pan divider bars.

- MODEL 500-HW/D4: 4-3/8" (111mm) depth, accepts five (5) full-size (gastronorm) pans
- MODEL 500-HW/D6: 6-3/8" (162mm) depth, accepts five (5) full-size (gastronorm) pans
- MODEL 500-HWLF/D4: 4-3/8" (111mm) depth, accepts five (5) full-size (gastronorm) pans
- MODEL 500-HWLF/D6: 6-3/8" (162mm) depth, accepts five (5) full-size (gastronorm) pans
- MODEL 500-HWI/D4: 4-3/8" (111mm) depth, accepts five (5) full-size (gastronorm) pans
- MODEL 500-HWI/D6: 6-3/8" (162mm) depth, accepts five (5) full-size (gastronorm) pans
- MODEL 500-HWILF/D4: 4-3/8" (111mm) depth, accepts five (5) full-size (gastronorm) pans
- MODEL 500-HWILF/D6: 6-3/8" (162mm) depth, accepts five (5) full-size (gastronorm) pans

FACTORY INSTALLED OPTIONS

- Voltage Choices:
 - 120V
 - 208-240V
 - 230V
- Control Box Cord Location:
 - Back, Standard
 - Bottom, Option



W164 N9221 Water Street • P.O. Box 450 • Menomonee Falls, Wisconsin 53052-0450 • U.S.A.

PHONE: 262.251.3800 800.558.8744 U.S.A./CANADA FAX: 262.251.7067 800.329.8744 U.S.A. ONLY

www.alto-shaam.com

INSTALLATION REQUIREMENTS

Unit must be installed level and must not be installed in any area where it may be directly affected by steam, grease, dripping water, high temperatures, or any other severely adverse conditions.

Hot well outer walls can reach 200° to 260°F (93° to 127°C). Verify countertop material temperature rating with manufacturer before installing hot well to ensure countertop can withstand heat.

CLEARANCE REQUIREMENTS

1" (25mm) from combustible surfaces

OPTIONS & ACCESSORIES

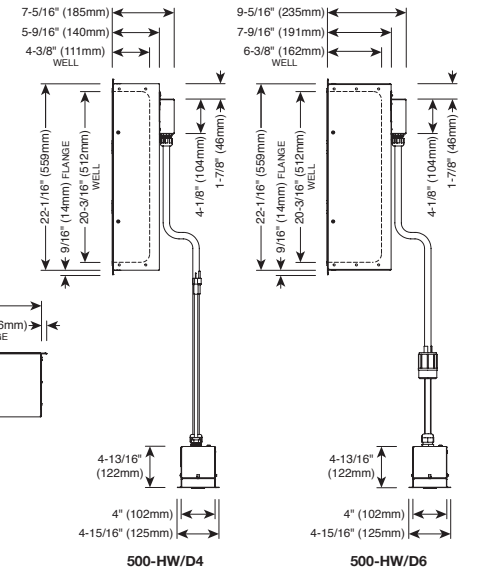
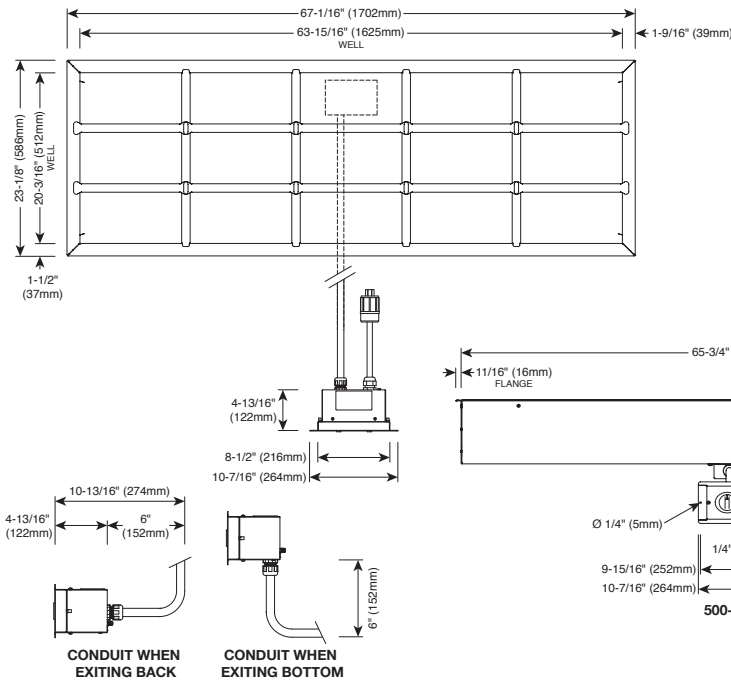
- Pan Divider Bar — HALF-SIZE / THIRD-SIZE 11318
- Pan Divider Bar — FULL-SIZE 16019

500-HW PRODUCT/PAN CAPACITY BASED ON 4" DEEP PANS	
D4: 120 lb (54 kg) MAX.	
MAX. VOLUME: D4: 72.5 qt (70 L)	
FULL-SIZE PANS*:	Five (5) 12" x 20" x 4" GN 1/1 (325mm x 530mm x 100mm)
HALF-SIZE PANS*:	Ten (10) 12" x 10" x 4" GN 1/2 (325mm x 265mm x 100mm)
THIRD-SIZE PANS*:	Fifteen (15) 12" x 6" x 4" GN 1/3 (325mm x 176mm x 100mm)

*WILL ALSO ACCEPT 2-1/2" (65mm) DEEP PANS; D6 UNITS WILL ACCEPT 6" (150mm) DEEP PANS

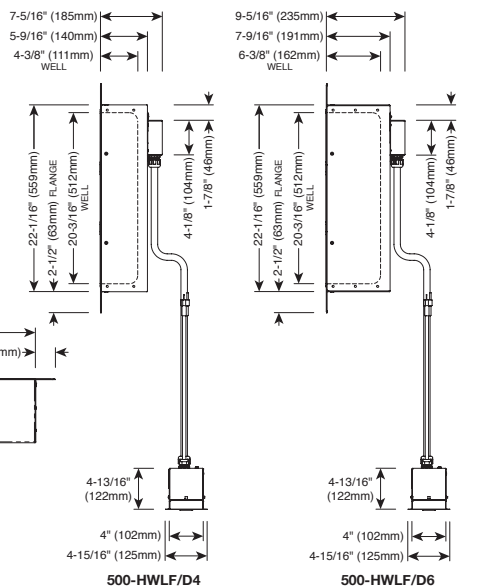
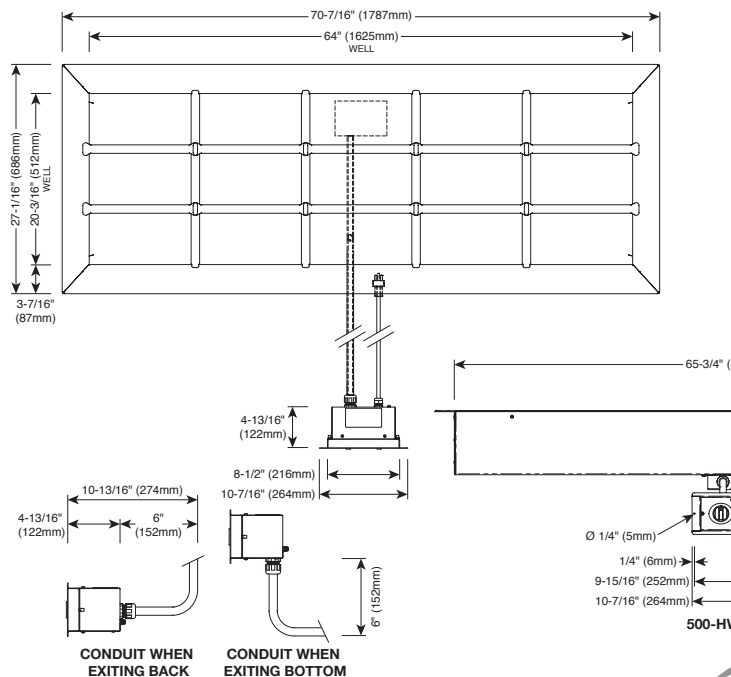
500-HW SERIES

HOT FOOD DROP-IN WELL



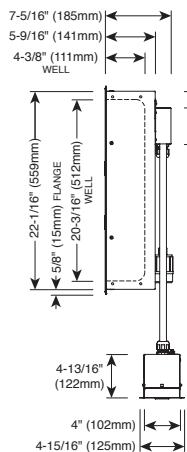
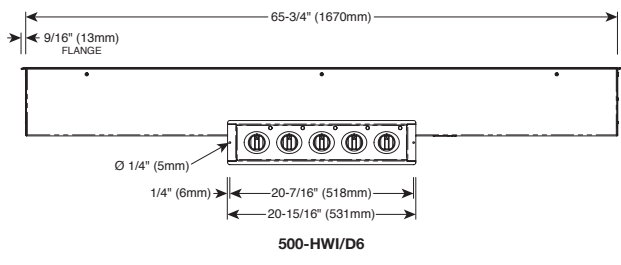
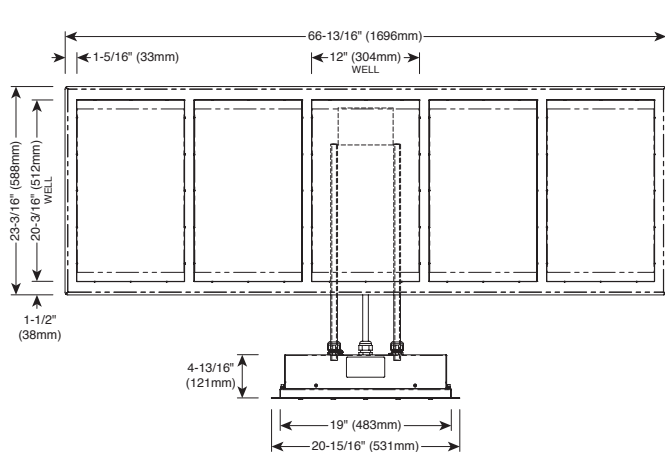
500-HWLF SERIES

HOT FOOD DROP-IN WELL

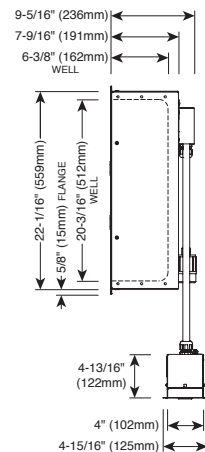


500-HWI SERIES

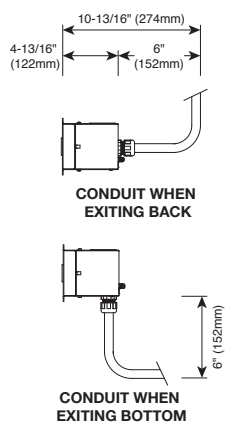
HOT FOOD DROP-IN WELL



500-HWI/D4

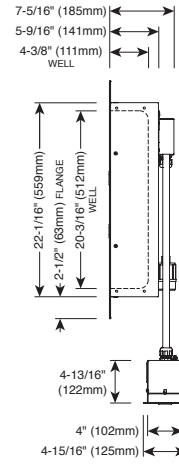
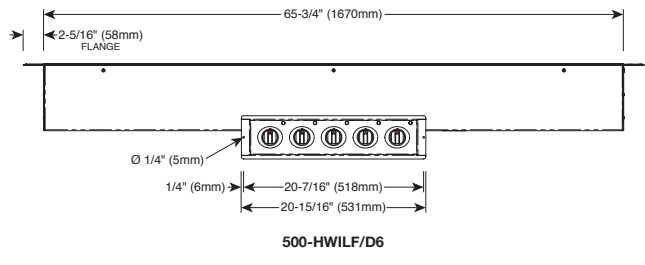
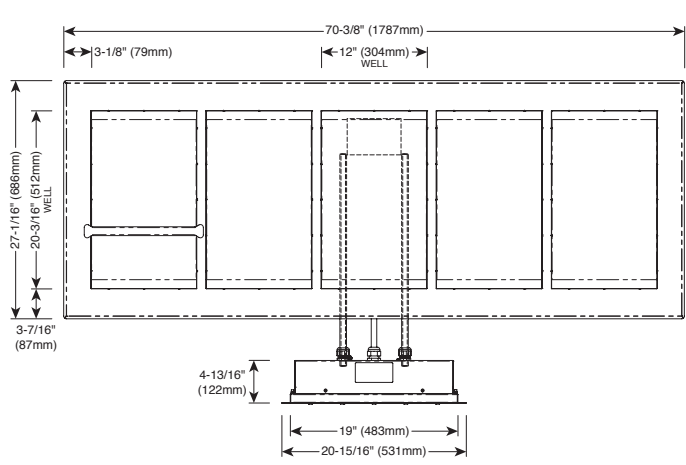


500-HWI/D6

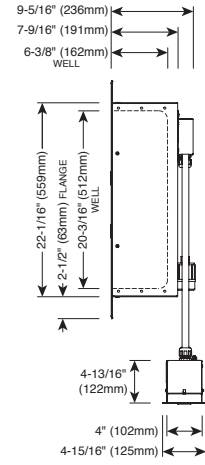


500-HWILF SERIES

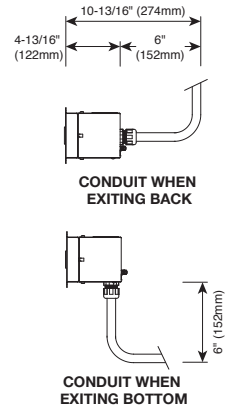
HOT FOOD DROP-IN WELL



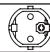
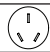



500-HWILF/D4



500-HWILF/D6



ELECTRICAL:											
500-HW/D4 & /D6, 500-HWLF/D4 & /D6, 500-HWI/D4 & /D6, 500-HWILF/D4 & /D6	VOLTAGE	PHASE	CYCLE/HZ	AMPS	kw	PLUG CONFIGURATION					
	120	1	50/60	25.0	3.0	 NEMA L5-30P 30A - 125V PLUG					
	208 - 240	1	50/60	10.8 - 12.5	2.3 - 3.0	 NEMA 6-15P 15A - 250V PLUG					
	230	1	50/60	12.0	3.0	 CEE 7/7 PLUG RATED 250V		 CH2-16P PLUG RATED 250V		 BS1363 PLUG RATED 250V	

DIMENSIONS:											
	OVERALL EXTERIOR			WELL INTERIOR			COUNTER CUTOUT		CONTROL BOX CUTOUT		
	HEIGHT	WIDTH	DEPTH	HEIGHT	WIDTH	DEPTH	WIDTH	DEPTH	HEIGHT	WIDTH	DEPTH
500-HW/D4	7-5/16" (185mm)	67-1/16" (1702mm)	23-1/8" (586mm)	4-3/8" (111mm)	63-15/16" (1625mm)	20-3/16" (512mm)	66-1/4" (1683mm)	22-1/2" (572mm)	4-1/4" (108mm)	8-3/4" (222mm)	10-13/16" (274mm)
500-HW/D6	9-5/16" (235mm)	67-1/16" (1702mm)	23-1/8" (586mm)	6-3/8" (162mm)	63-15/16" (1625mm)	20-3/16" (512mm)	66-1/4" (1683mm)	22-1/2" (572mm)	4-1/4" (108mm)	8-3/4" (222mm)	10-13/16" (274mm)
500-HWLF/D4	7-5/16" (185mm)	70-7/16" (1787mm)	27-1/16" (686mm)	4-3/8" (111mm)	64" (1625mm)	20-3/16" (512mm)	66-1/4" (1683mm)	22-1/2" (572mm)	4-1/4" (108mm)	8-3/4" (222mm)	10-13/16" (274mm)
500-HWLF/D6	9-5/16" (235mm)	70-7/16" (1787mm)	27-1/16" (686mm)	6-3/8" (162mm)	64" (1625mm)	20-3/16" (512mm)	66-1/4" (1683mm)	22-1/2" (572mm)	4-1/4" (108mm)	8-3/4" (222mm)	10-13/16" (274mm)
500-HWI/D4	7-5/16" (185mm)	66-13/16" (1696mm)	23-3/16" (588mm)	4-3/8" (111mm)	12" (304mm)	20-3/16" (512mm)	66-1/4" (1683mm)	22-1/2" (572mm)	4-1/4" (108mm)	19-1/4" (489mm)	10-13/16" (274mm)
500-HWI/D6	9-5/16" (236mm)	66-13/16" (1696mm)	23-3/16" (588mm)	6-3/8" (162mm)	12" (304mm)	20-3/16" (512mm)	66-1/4" (1683mm)	22-1/2" (572mm)	4-1/4" (108mm)	19-1/4" (489mm)	10-13/16" (274mm)
500-HWILF/D4	7-5/16" (185mm)	70-3/8" (1787mm)	27-1/16" (686mm)	4-3/8" (111mm)	12" (304mm)	20-3/16" (512mm)	66-1/4" (1683mm)	22-1/2" (572mm)	4-1/4" (108mm)	19-1/4" (489mm)	10-13/16" (274mm)
500-HWILF/D6	9-5/16" (238mm)	70-3/8" (1787mm)	27-1/16" (686mm)	6-3/8" (162mm)	12" (304mm)	20-3/16" (512mm)	66-1/4" (1683mm)	22-1/2" (572mm)	4-1/4" (108mm)	19-1/4" (489mm)	10-13/16" (274mm)

*Allow 6" (152mm) clearance from control box to conduit bend

WEIGHT: EST.			
	NET WEIGHT	SHIP WEIGHT*	CRATE DIMENSIONS* L X W X H
500-HW/D4	85 lb (39 kg)	170 lb (77 kg)	72" x 34" x 15" (1829 x 864 x 381mm)
500-HW/D6	94.5 lb (43 kg)	175 lb (79 kg)	72" x 34" x 15" (1829 x 864 x 381mm)
500-HWLF/D4	89.5 lb (41 kg)	CONTACT FACTORY	72" x 34" x 15" (1829 x 864 x 381mm)
500-HWLF/D6	100 lb (45 kg)	CONTACT FACTORY	72" x 34" x 15" (1829 x 864 x 381mm)
500-HWI/D4	107 lb (49 kg)	CONTACT FACTORY	72" x 34" x 15" (1829 x 864 x 381mm)
500-HWI/D6	121 lb (55 kg)	CONTACT FACTORY	72" x 34" x 15" (1829 x 864 x 381mm)
500-HWILF/D4	115 lb (52 kg)	CONTACT FACTORY	72" x 34" x 15" (1829 x 864 x 381mm)
500-HWILF/D6	128.5 lb (58 kg)	CONTACT FACTORY	72" x 34" x 15" (1829 x 864 x 381mm)

*DOMESTIC GROUND SHIPPING INFORMATION. CONTACT FACTORY FOR EXPORT WEIGHT AND DIMENSIONS.

